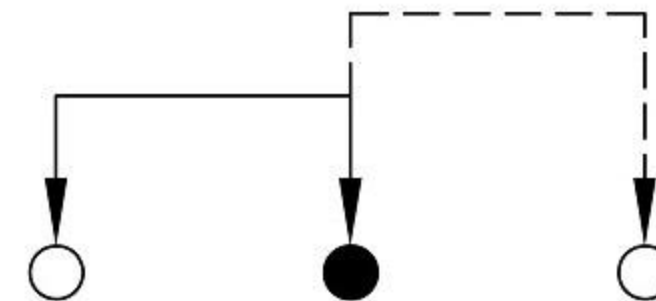
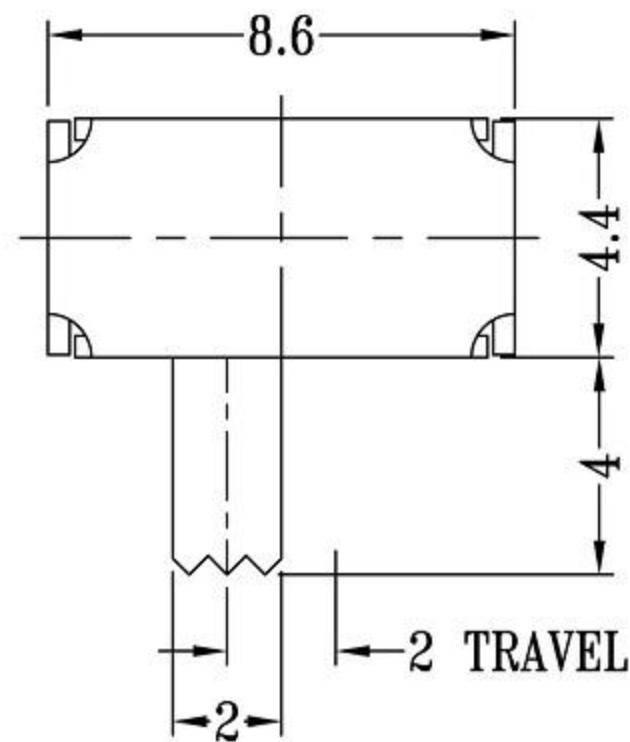
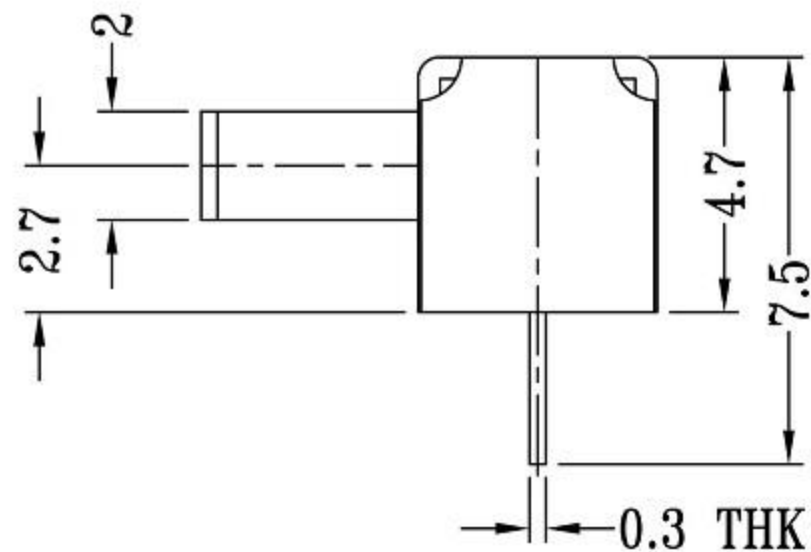
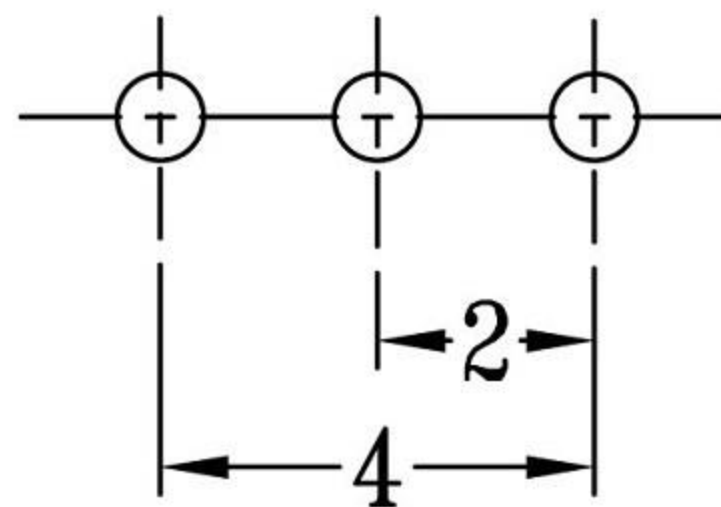
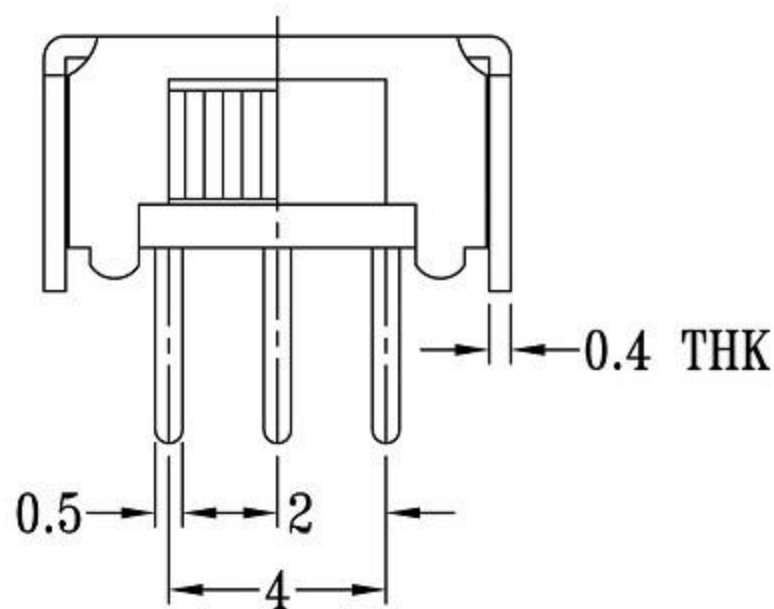


CAD FILE:



SCHEMATIC (NON-SHORTING)



**P.C.B LAYOUT
BOTTOM VIEW**

拨动开关侧拨技术参数:

1. 额定负荷: DC 30V 50V 0.3A 0.5A
2. 接触阻抗: $\leq 50m\Omega$
3. 绝缘阻抗: $\geq 100m\Omega$ DC500V
4. 耐焊温度: $250 \pm 5^\circ$ 5s
5. 使用寿命: 10,000 cycles
6. 使用温度: -25°C to 80°C
7. 使用湿度: $\leq 85\%$ RH
8. 操作力: 160gf 256gf 300gf 可定制
9. 手柄长度: 2mm-10mm 可定制

注: "*"表示关键尺寸(6个)

| NO. | PARTS | MATERIALS | QTY | FINISH | TOLERANCE UNLESS SPECIFIED | ISSUE | DATE | DESCRIPTIONS OF REVISION | APPD |
|-----|--------------|----------------|-----|-----------|--------------------------------|-------|------------|--------------------------|------------|
| 8 | | | | | | | | | |
| 7 | STEEL BALL | STEEL | 1 | NATURAL | | | | | |
| 6 | SPRING | STEEL WIRE | 1 | NATURAL | | | | | |
| 5 | CONTACT CLIP | PBS STRIP | 2 | Ag PLATED | WITHIN | A | 2012-12-25 | 初板 | |
| 4 | TERMINAL | BRASS STRIP | 10 | Ag PLATED | OVER | | | | |
| 3 | BASE | PHENOLIC RESIN | 1 | BLACK | TITLE: HORIZONTAL SLIDE SWITCH | | UNIT : mm | DRWG NO.: | |
| 2 | FRAME | STEEL STRIP | 1 | Ni PLATED | MODEL: | | SCALE: 2:1 | DWN | 2012-12-25 |
| 1 | KNOB | POM | 1 | BLACK | 東莞市黃江兆盛開關廠 | | | CHK'D | |
| | | | | | | | | | APPD |